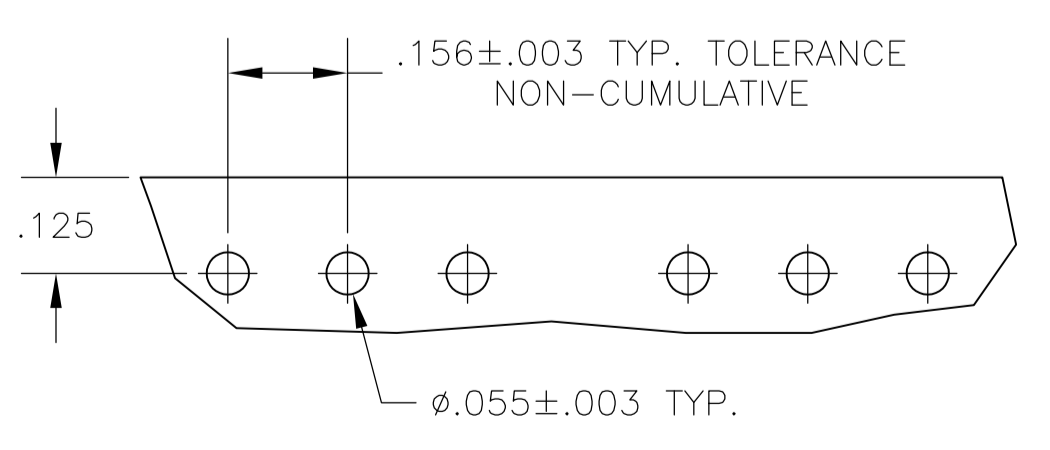
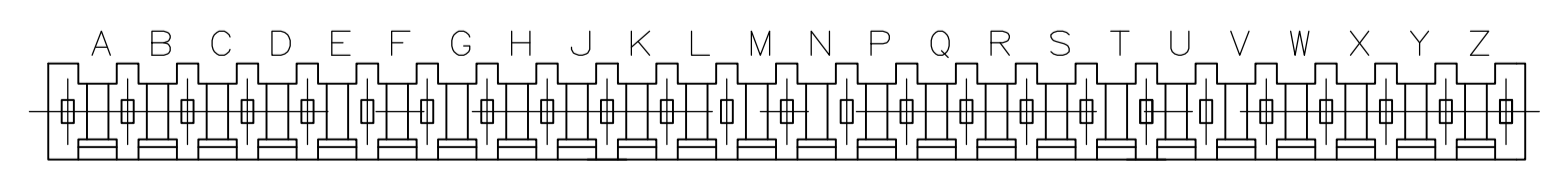


- △2 THESE SURFACES WILL NOT BE PLATED
- △3 THE NOTED DIMENSIONS APPLY AT THE INTERSECTION OF THE POST AND THE HOUSING
- △4 POINT OF MEASUREMENT FOR PLATING THICKNESS
- △5 OBSOLETE PARTS: OBSOLETE CIS STREAMLINING PER D.RENAUD/D.SINISI

△3
 .040^{+0.000}
 -.015
 2 PLC.



RECOMMENDED HOLE LAYOUT



KEYWAY LOCATIONS (REF-SEE TABLE)
 (MATING LENGTH OF POST ON NEAR SIDE)
 SCALE: 2:1

OBSOLETE	NONE	NONE	5.415	5.304	34	35	3-87247-6	
OBSOLETE	NONE	NONE	5.259	5.148	33	34	3-87247-5	
OBSOLETE	NONE	NONE	5.103	4.992	32	33	3-87247-4	
OBSOLETE	NONE	NONE	4.947	4.836	31	32	3-87247-3	
OBSOLETE	NONE	NONE	4.791	4.680	30	31	3-87247-2	
OBSOLETE	NONE	NONE	4.635	4.524	29	30	3-87247-1	
OBSOLETE	NONE	NONE	4.479	4.368	28	29	3-87247-0	
OBSOLETE	NONE	NONE	4.323	4.212	27	28	2-87247-9	
OBSOLETE	NONE	NONE	4.167	4.056	26	27	2-87247-8	
OBSOLETE	NONE	NONE	4.011	3.900	25	26	2-87247-7	
△5 OBSOLETE	NONE	NONE	.111	-	-	1	2-87247-6	
	A,C,E,H,K,M,Q,S,U,W,Y	11	3.855	3.744	24	25	2-87247-5	
	A,C,E,G,J,L,N,Q,S,U,W,Y	12	3.699	3.588	23	24	2-87247-4	
	A,D,G,K,N,R,U,X	8	3.543	3.432	22	23	2-87247-3	
	A,C,E,G,J,L,N,Q,S,U,W	11	3.387	3.276	21	22	2-87247-2	
△5 OBSOLETE	A,D,G,K,N,R,U	7	3.231	3.120	20	21	2-87247-1	
	A,C,E,G,J,L,N,Q,S,U	10	3.075	2.964	19	20	2-87247-0	
	B,D,F,J,L,N,Q,S	8	2.919	2.808	18	19	1-87247-9	
	A,D,F,J,M,P,S	7	2.763	2.652	17	18	1-87247-8	
	A,D,G,K,N,R	6	2.607	2.496	16	17	1-87247-7	
	A,C,E,G,J,L,N,Q	8	2.451	2.340	15	16	1-87247-6	
	A,D,G,K,N	5	2.295	2.184	14	15	1-87247-5	
	A,C,E,G,J,L,N	7	2.139	2.028	13	14	1-87247-4	
	A,D,J,M	4	1.983	1.872	12	13	1-87247-3	
	A,C,E,G,J,L	6	1.827	1.716	11	12	1-87247-2	
△5 OBSOLETE	A,D,G,K	4	1.671	1.560	10	11	1-87247-1	
	A,C,E,G,J	5	1.515	1.404	9	10	1-87247-0	
	A,D,G	3	1.359	1.248	8	9	87247-9	
	A,C,E,G	4	1.203	1.092	7	8	87247-8	
	A,C,E	3	1.047	.936	6	7	87247-7	
	A,C,E	3	.891	.780	5	6	87247-6	
	A,D	2	.735	.624	4	5	87247-5	
	A,C	2	.579	.468	3	4	87247-4	
	△5 OBSOLETE	A	1	.423	.312	2	3	87247-3
		A	1	.267	.156	1	2	87247-2

KEYWAY LOCATIONS	NO OF KEYWAY	C	B	A	NO OF POSN	ASSEMBLY PART NUMBER

THIS DRAWING IS A CONTROLLED DOCUMENT.

DIMENSIONS: INCHES	TOLERANCES UNLESS OTHERWISE SPECIFIED:	DIN 7-17-87	tyco Electronics	Tyco Electronics Corporation Harrisburg, Pa 17105-3608	
0 PLC ± -	1 PLC ± -	7-20-87	APVD E HUBBEN	NAME	
2 PLC ± -	3 PLC ± .005	7-20-87	PRODUCT SPEC	108-25016	
4 PLC ± -	ANGLES ± -		APPLICATION SPEC		
MATERIAL: HOUSING-FLAME RETARDANT THERMOPLASTIC COLOR-BLACK POSTS-BRASS	FINISH: POSTS: .000030 GOLD OVER .000050 NICKEL	SIZE	CAGE CODE	DRAWING NO	RESTRICTED TO
		WEIGHT	A1 00779	87247	
		CUSTOMER DRAWING	SCALE	4:1	SHEET 1 of 1 REV P1